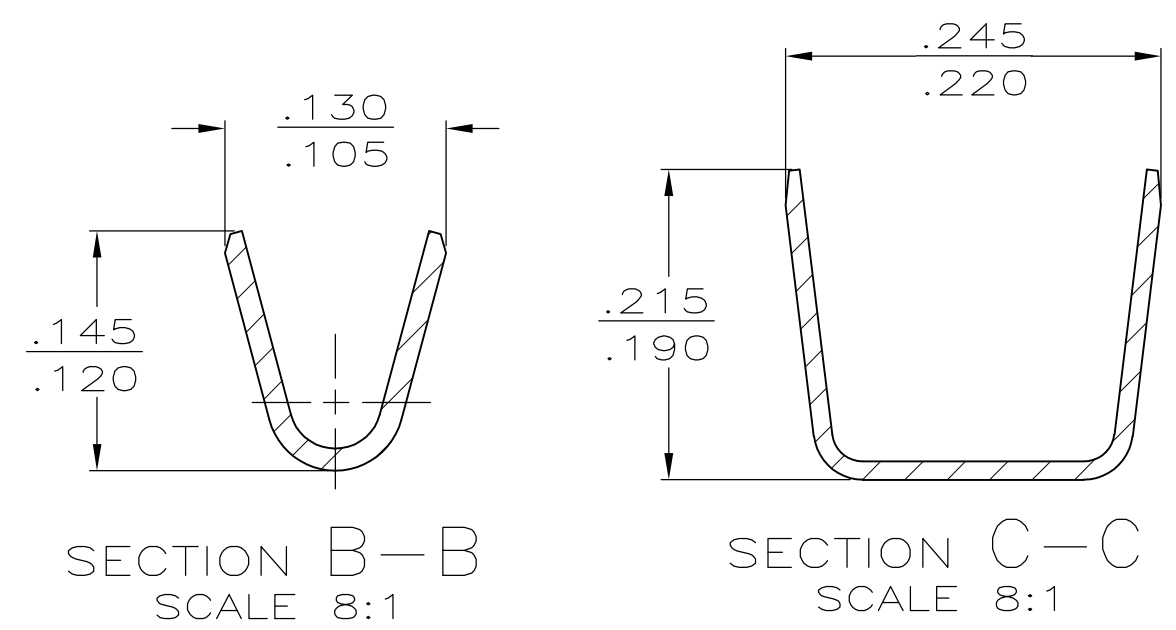
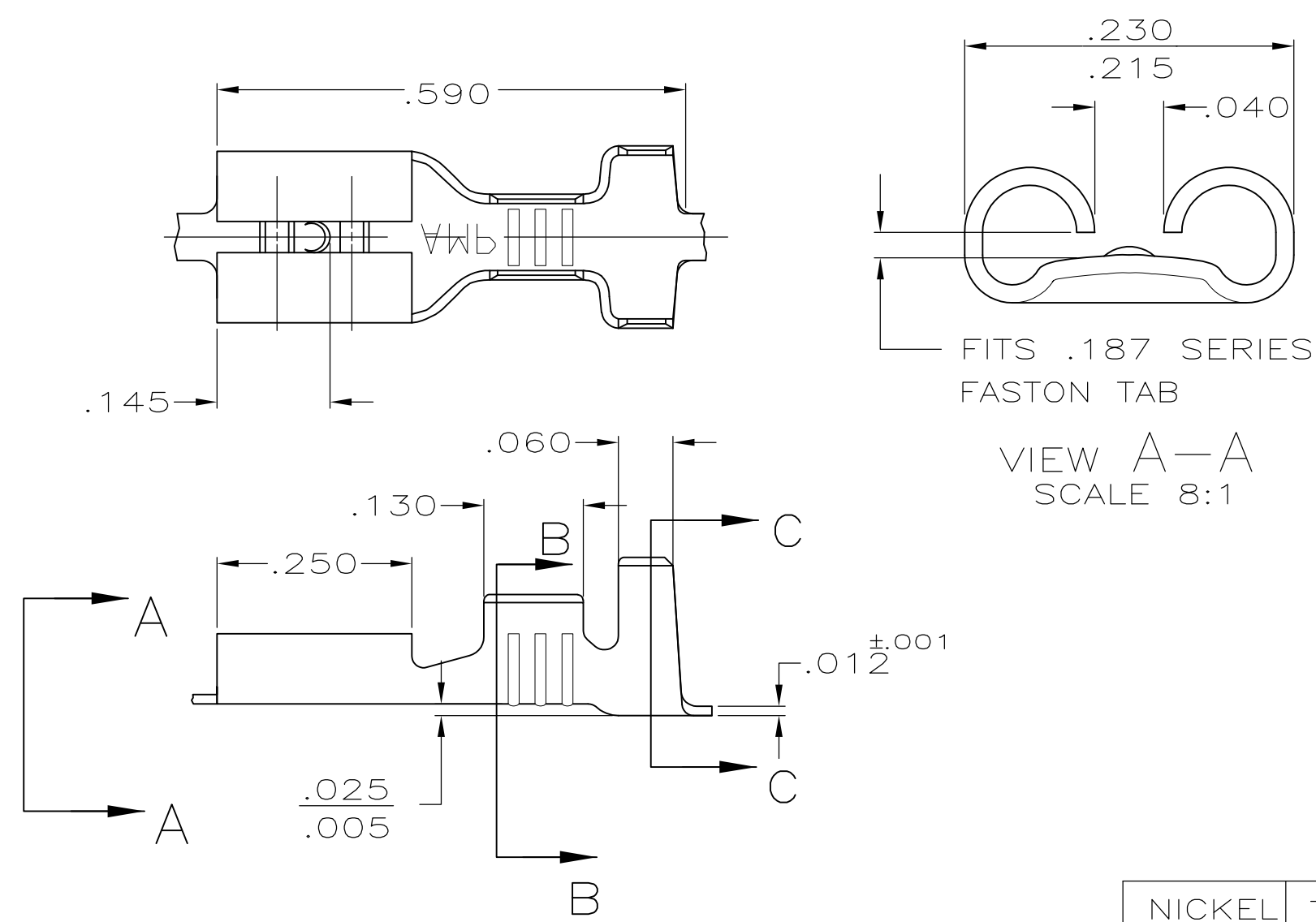


THIS DRAWING IS UNPUBLISHED. RELEASED FOR PUBLICATION  
 © COPYRIGHT BY TYCO ELECTRONICS CORPORATION. ALL INTERNATIONAL RIGHTS RESERVED.

LOC	DIST	REVISIONS					
AF	50	P	LTR	DESCRIPTION	DATE	DWN	APVD
			M1	REVISED PER ECR-08-025628	14OCT08	HMR	PD

- 1 CONTINUOUS STRIP ON REELS
- △ 2 PRELIMINARY - NOT FOR PRODUCTION



NICKEL	T2 STEEL		18-16		△ 2 60487-3
TIN	#4H BRASS	.105-.210 OR (2) .105 MAX	OR (2) #18's	.020	60487-2
-					60487-1
FINISH	MATERIAL	INSULATION RANGE	WIRE SIZE	MATING TAB THK ±.001	PART NO

F	.210	.188	F	.100	-.055	16
					±.002	18
					HEIGHT	WIRE
INSUL BARREL CRIMP	WIRE BARREL CRIMP					

THIS DRAWING IS A CONTROLLED DOCUMENT.

DWN	JR RUTH	7/14/89	 Tyco Electronics Corporation Harrisburg, PA 17105-3608
CHK	MS FEHER	7/14/89	
APVD	-	7/14/89	NAME RECEPTACLE, FASTON,™ .187 SERIES
PRODUCT SPEC	-	7/14/89	
APPLICATION SPEC	-	R KUZO	SIZE A3
WEIGHT	-		
CUSTOMER DRAWING			CAGE CODE 00779
SCALE			5:1
SHEET			1 OF 1
REV			M1